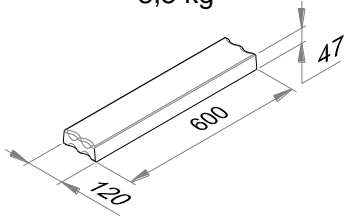


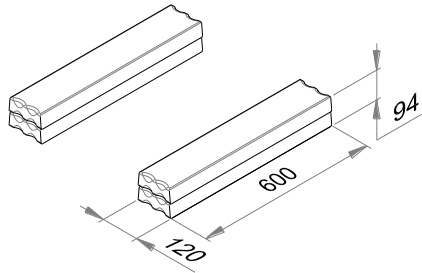
# Single stack configuration for ingot L=600 – new production line

double  
binding

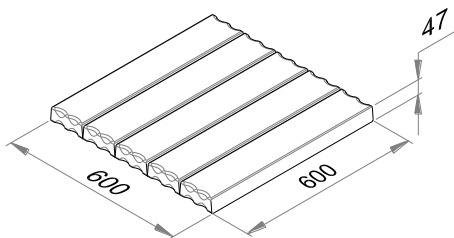
Ingot weight  
8,5 kg



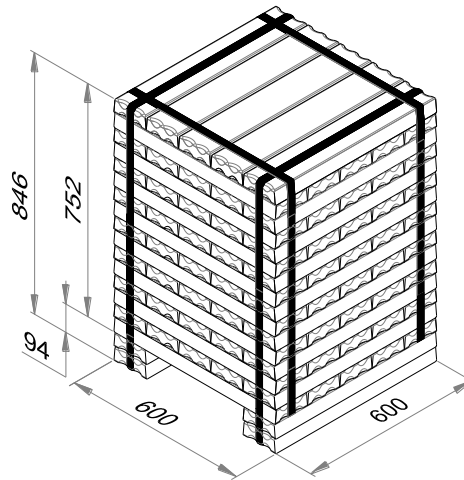
Footing weight  
34 kg



Layer weight  
42,5 kg



stack example



Footing – 34 kg  
16 layers – 680 kg  
Total - 714 kg

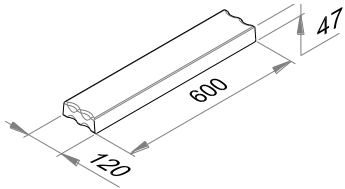
## Height and weight of offered stack configurations

Number of layers	11	12	13	14	15	16	17	18	19	20
Stack height (mm)	611	658	705	752	799	846	893	940	987	1034
Stack weight +/- 10kg	502	544	587	629	672	714	757	799	842	884

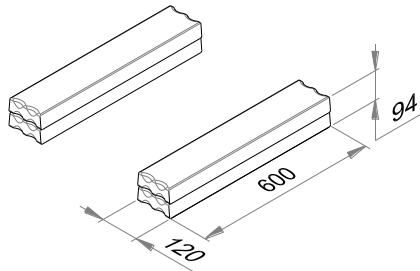
# Single stack configuration for ingot L=600 – new production line

single  
binding

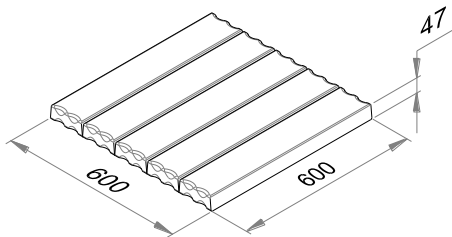
Ingot weight  
8,5 kg



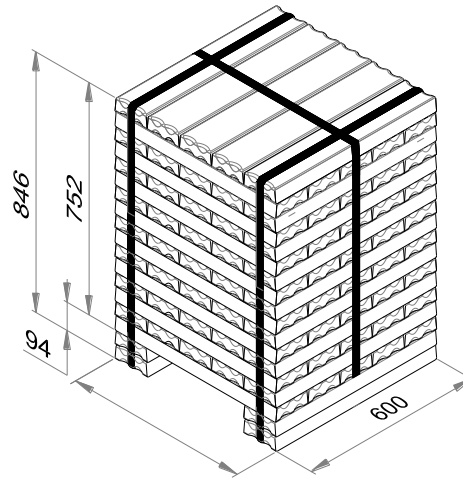
Footing weight  
34 kg



Layer weight  
42,5 kg



stack example



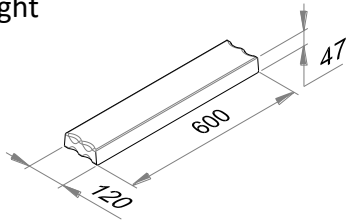
Footing – 34 kg  
16 layers – 680 kg  
Total - 714 kg

## Height and weight of offered stack configurations

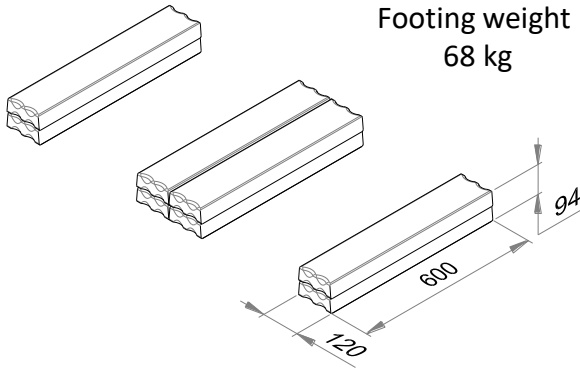
Number of layers	11	12	13	14	15	16	17	18	19	20
Stack height (mm)	611	658	705	752	799	846	893	940	987	1034
Stack weight +/- 10kg	502	544	587	629	672	714	757	799	842	884

# Double stack configuration for ingot L=600 – new production line

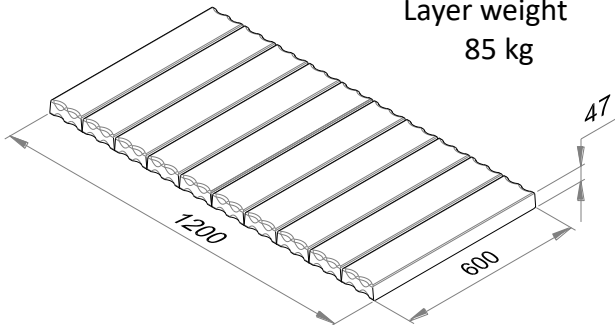
Ingot weight  
8,5 kg



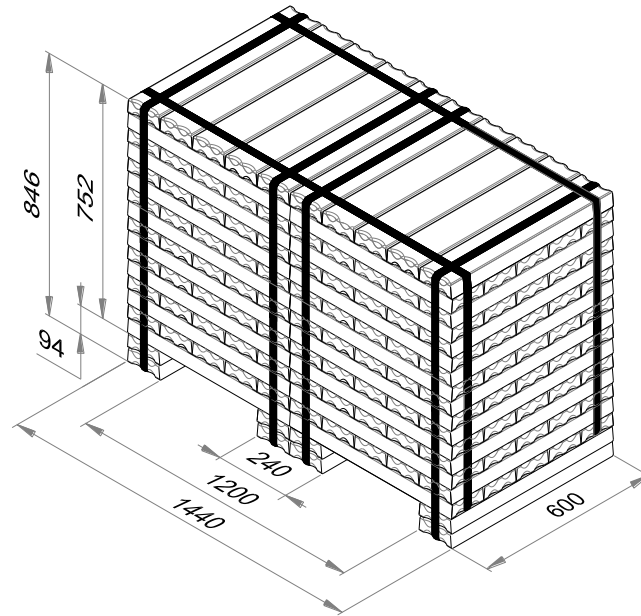
Footing weight  
68 kg



Layer weight  
85 kg



stack example



Footing – 68 kg  
16 layers – 1360 kg  
Total - 1428 kg

Height and weight of offered stack configurations

Number of layers	11	12	13	14	15	16	17	18	19	20
Stack height (mm)	611	658	705	752	799	846	893	940	987	1034
Stack weight +/- 20kg	1003	1088	1173	1258	1343	1428	1513	1598	1683	1768